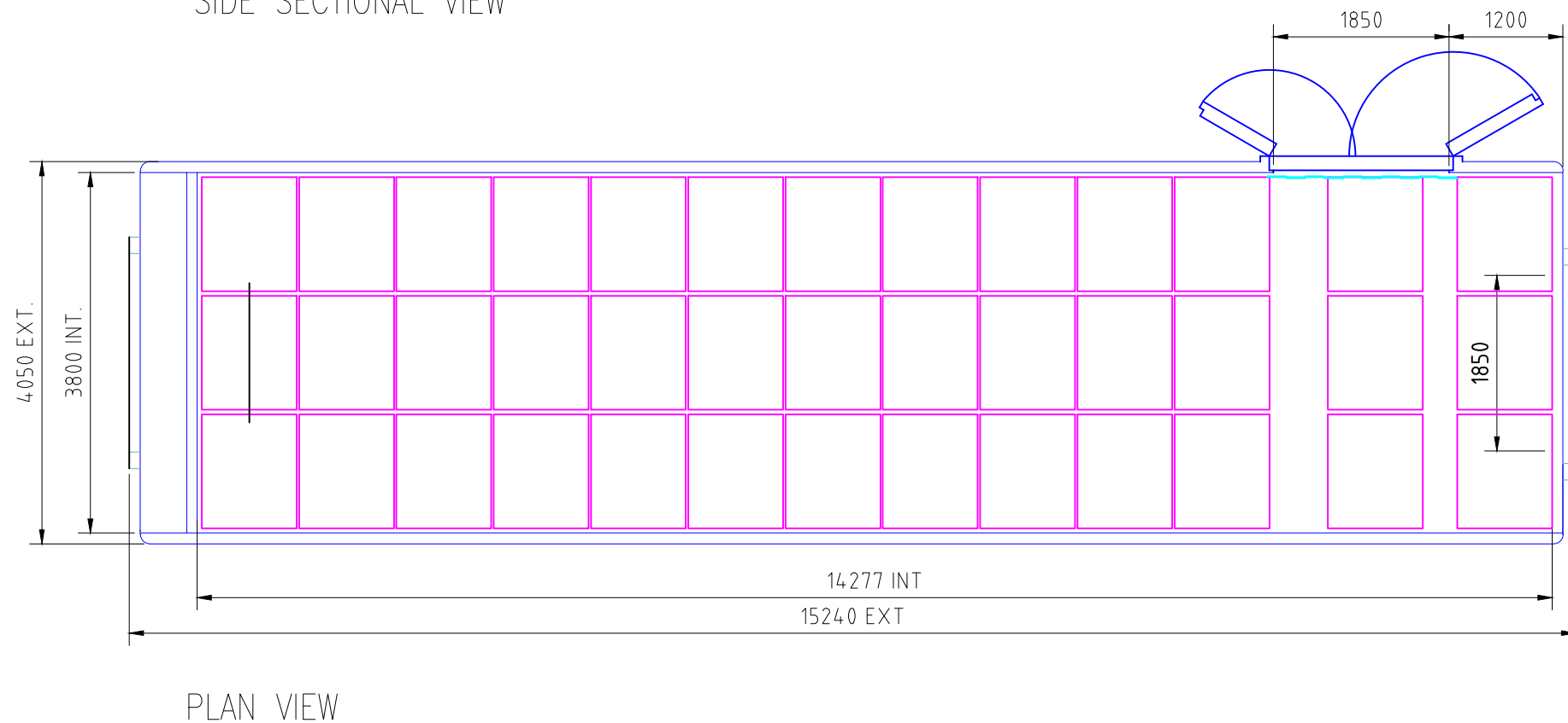
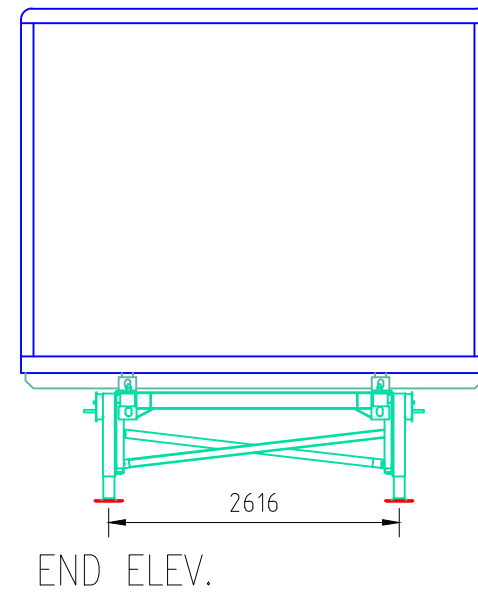
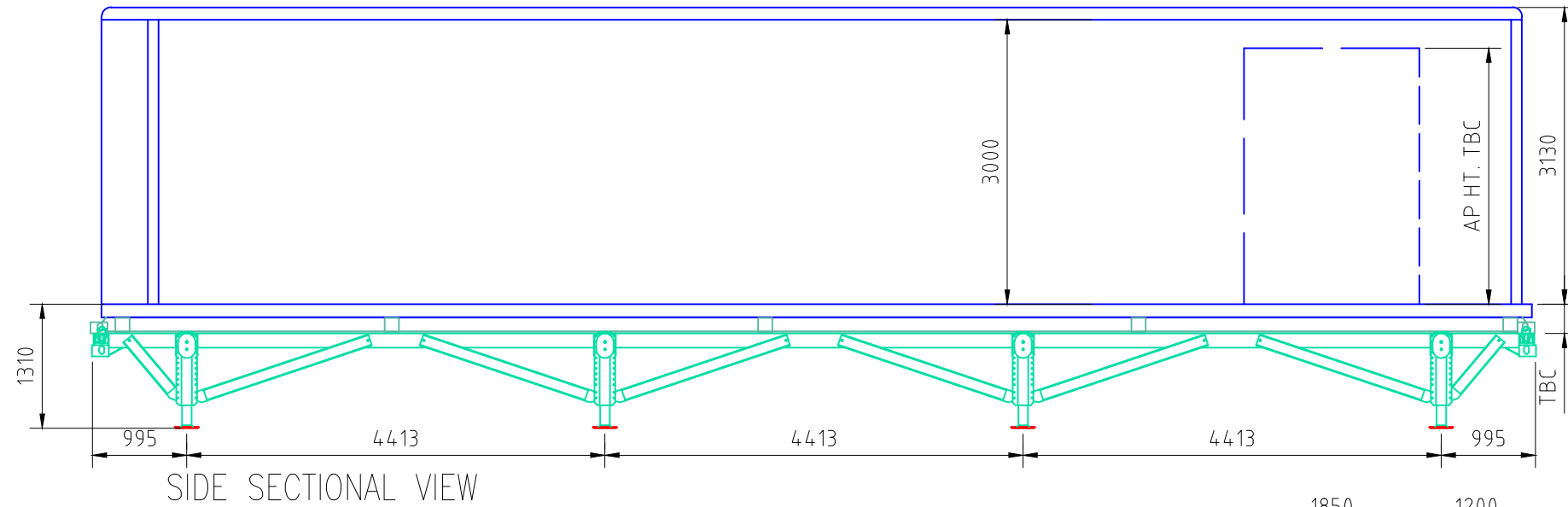


PRELIMINARY DRAWING – NOT
SUITABLE FOR CONSTRUCTION
DO NOT SCALE IF IN DOUBT ASK!



©Dawsonrentals Temperature Control Solution (12/01/2016)
All rights reserved. No part of this design may be used
or reproduced without the written permission of
Dawsonrentals Temperature Control Solution Limited.

Dawsonrentals | temperature control solutions

DATES:

CREATED: 12/01/2016 12:27 PM
UPDATED: 12/01/2016 12:42 PM
PRINTED: 12/01/2016 12:53 PM



Dawsonrentals | temperature control solutions

Fulwood Industrial Estate, Export Drive,
Sutton In Ashfield, Nottinghamshire NG17 6AF
tel : (01623) 516666
fax : (01623) 516819
web site : www.dawsongroup.co.uk

DIMS. IN mm

PRINT SIZE: A3

SCALE: NTS

DRAWN: RC

CLIENT: GREENHALGHS BAKERY

PROJECT: DR39 WIDEBOX ON ELEVATION PLATFORM

DRAWING TITLE: 4050mm WIDE UNIT OPTION

DRAWING NUMBER: 4271A 00 Rev00 4050 Wide option