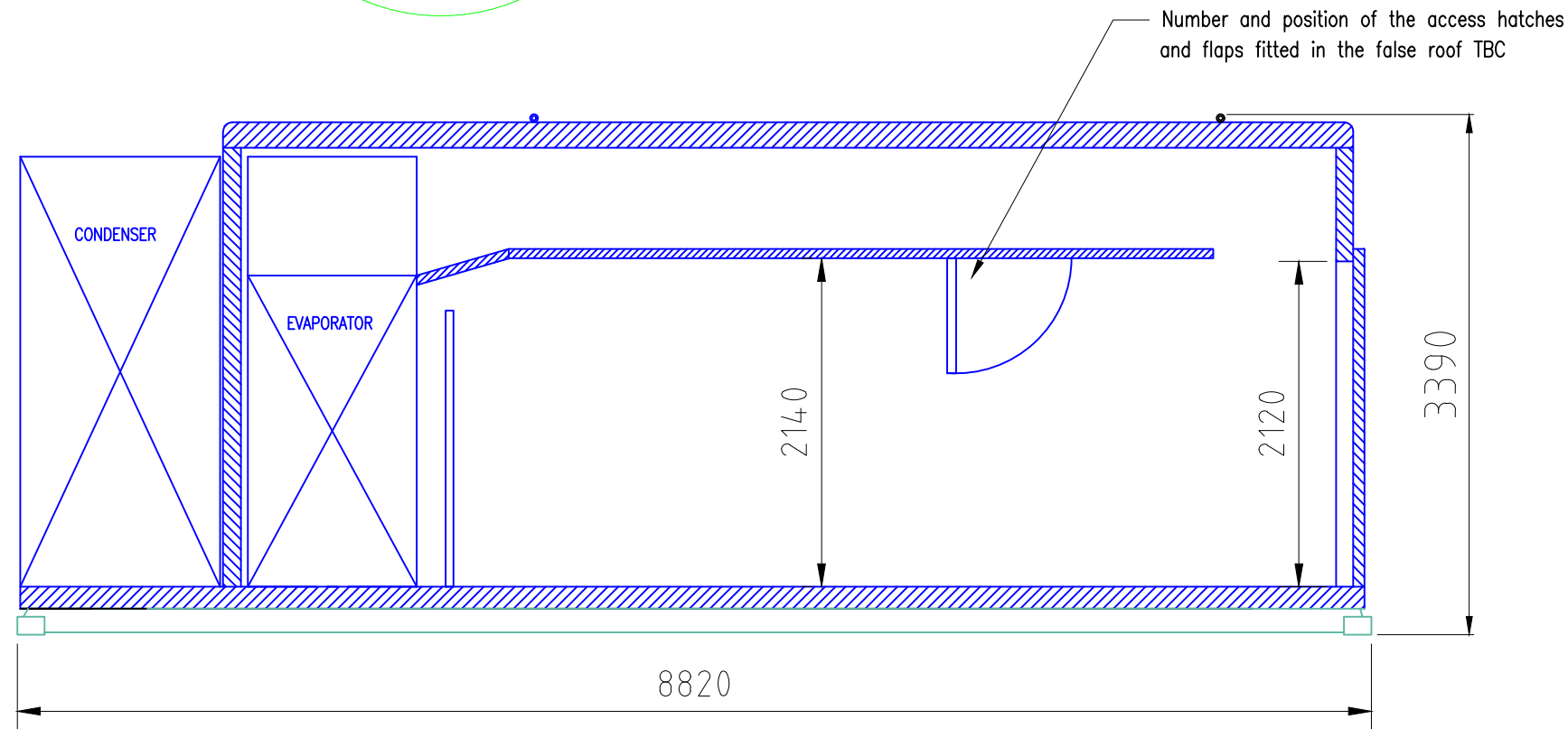
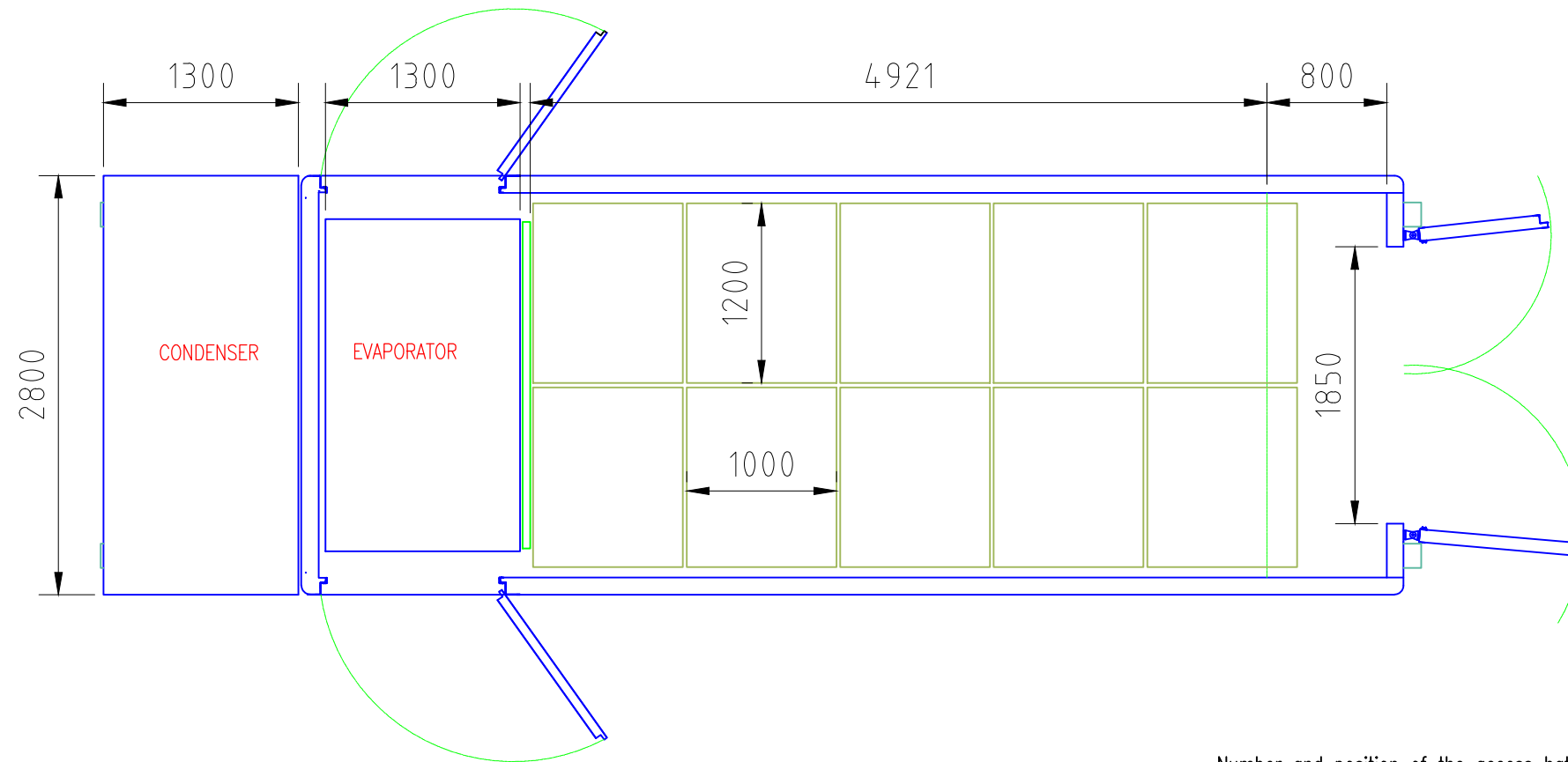


PRELIMINARY DRAWING – NOT
SUITABLE FOR CONSTRUCTION
DO NOT SCALE IF IN DOUBT ASK!



©Dawsonrentals Temperature Control Solution
All rights reserved. No part of this design
may be used or reproduced without the
written permission of Dawsonrentals
Temperature Control Solution Limited.

Dawsonrentals | temperature control solutions

DATES:

CREATED: 18/07/2016 8:05 AM

UPDATED: 18/07/2016 9:27 AM

PRINTED: 18/07/2016 9:28 AM



Dawsonrentals | temperature control solutions

Fulwood Industrial Estate, Export Drive,
Sutton In Ashfield, Nottinghamshire NG17 6AF
tel : (01623) 516666
fax : (01623) 516819
web site : www.dawsongroup.co.uk

DIMS. IN mm

PRINT SIZE: A3

SCALE: NTS

DRAWN: LG

PROJECT: 30KW BLAST FREEZER

DRAWING TITLE: PRELIMINARY DRAWING

DRAWING NUMBER: 4519A 00 Rev01 all